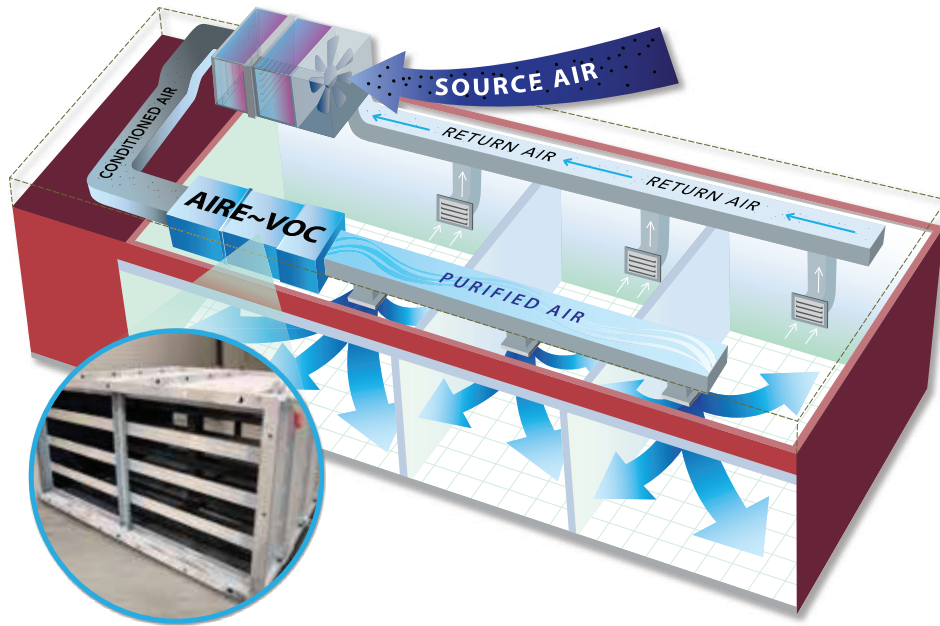


AIR FILTRATION. PERFECTED.

LifeAire Systems, a global innovator of air purification technologies in IVF, has created a product specifically for VOC remediation in life science laboratories. Using technology from its full scale Aire~IVF® system, the Aire~VOC in-duct module offers the most comprehensive methodology to capture and neutralize VOCs that can impact successful embryogenesis.

IVF programs faced with physical building constraints, leasehold restrictions or engineering complexity can now access a technology that has helped its users achieve double-digit improvements in pregnancy rates.

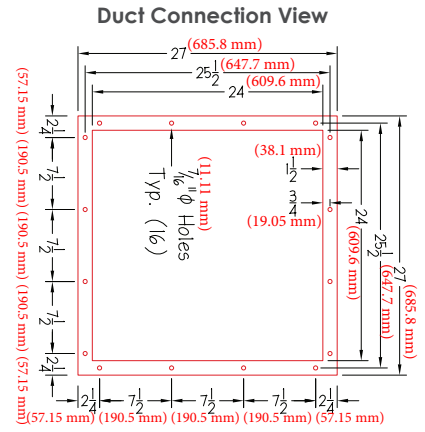
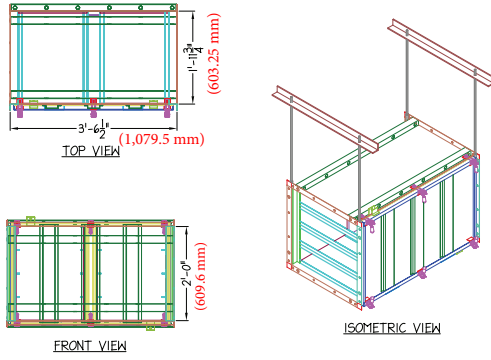


Aire~VOC is easy to install, as it simply replaces a section of your existing ductwork.

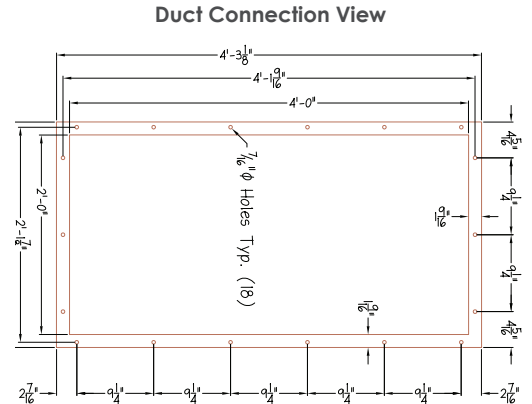
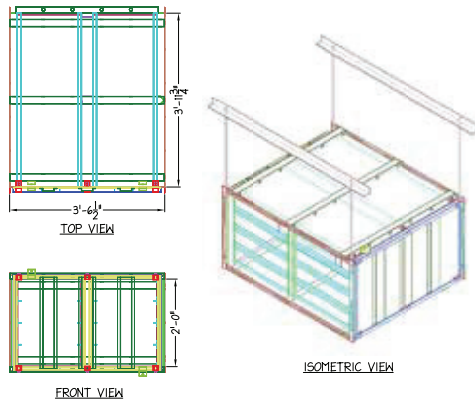
Available in three standard sizes, Aire~VOC efficiently services laboratories of differing size and dimensions.

IN-DUCT AND ALL WEATHER SYSTEMS	APPROXIMATE AREA SERVED (SQUARE FEET)	APPROXIMATE AREA SERVED (SQUARE METERS)
Aire~VOC™ 1000	356	33.1
Aire~VOC™ 2000	712	66.1
Aire~VOC™ 4000	1,425	132.4

AIRE~VOC™ 1000 Static Pressure: 0.50 w.g. (124.42 Pa)



AIRE~VOC™ 2000 Static Pressure: 0.50 w.g.



AIRE~VOC™ 4000 Static Pressure: 1.50 w.g.

